

Product certificate

The company

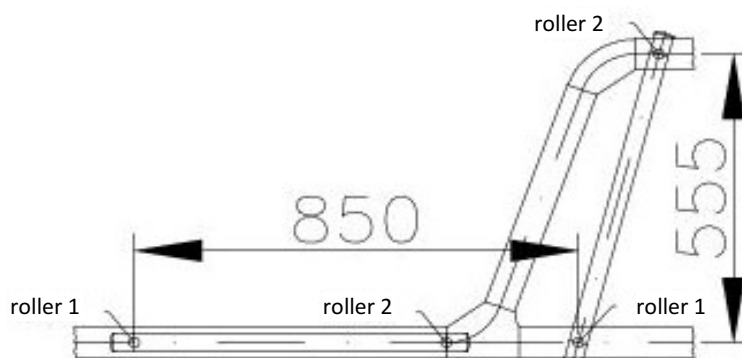
TEUFELBESCHLAG GmbH

hereby certifies that the product

Stacking-sliding System Series 700

has been tested on the basis of **EN 1527** by means of in-house production control and long-time testing.

1. Test set-up (on the basis of EN 1527)



Optional panel functions (single resp. double action doors) are tested on the basis of EN 1935 (hinges) and EN 1154 (door closing device).

2. Product features

Test criteria	Panel type	Limit value
Durability «Sliding»	ATSK/ PSFK/ SF	13 000 cycles
Durability «single resp. double action doors»	ATSK/ PEB	500 000 cycles
Max. panel weight	all	100 kg
Max. panel size	SF/ PEB	1 200 x 2 800 mm
Max. panel size	ATSK/ PSFK	1 100 x 2 800 mm
Max. bending (impact load of 0,6 kN/m)	all (closed / locked)	11 mm

Tuerkenfeld, 01.05.2018

TEUFELBESCHLAG GmbH
Am Brand 8
82299 Tuerkenfeld
Germany